

BI804PG1G2F

7-port Full Gigabit Industrial PoE Switch Datasheet



Ideal for:



Telecom



Hotels & Resorts



Universities



Healthcare



Public Places



Airport



Transport



Industries

Overview

BI804PG1G2F is a 7-port, full gigabit industrial PoE switch that supports up to 4 *10/100/1000M PoE downlink ports, 1*10/100/1000M uplink ports and 2*1000M SFP ports. 4*10/100/1000M ports support PoE+, conforming to IEEE 802.3af/at standard.

It provides two modes, Default and VLAN, adapt to various complex environments. At the same time, support PoE auto-check function, which is specially designed to solve the problems of equipment frozen. It can automatically detect the frozen PD equipment and restart the ports' output of PSE, and restart the PD device. It greatly reduces the maintenance difficulty of engineering. It has the characteristics of reliable work, strong and durable, high performance and so on. It can be used in security network video monitoring system, network engineering and other occasions.

Features

With 4*10/100/1000M PoE downlink ports, 1*10/100/1000M uplink ports, and 2*1000M SFP ports, and supports 2 port PoE power each up to 90W, 2 port PoE power each up to 30W

Provides two modes of Default and VLAN to adapt to various complex environments

Support PoE auto-check function, which is specially designed to solve the problems of equipment frozen. It can automatically detect the frozen PD equipment and restart the ports' output of PSE, and restart the PD device. It greatly reduces the maintenance difficulty of engineering

Support 6KV surge protection, 8KV contact / 15KV air ESD protection

Support relay alarm for power off, network broken, PoE off

Support working temperature -40°C~75°C

BI804PG1G2F

7-port Full Gigabit Industrial PoE Switch Datasheet



Technical Specifications

Parameter	Specifications
Power supply	Powered by power adaptor
Range of voltage	DC 48~57V
Consumption	Self-consumption<5W
Downlink ports	Ports 1~4 10/100/1000Base-TX PoE RJ45(2 ports 90W, 2 ports 30W)
Uplink ports	5 10/100/1000 Base-TX; Ports 6~7 1000 SFP slots
PoE Auto-check	If detect the frozen PD device, restart it
Working mode	Default mode: normal switch mode. VLAN mode: ports 1 ~ 4 are isolated from each other and can only communicate with the upper port; restrain the network storm; turn off the flow control.
Cable and distance	Use cat5e/6,100m max(Extend mode max.250m)
Standard	IEEE802.3, IEEE802.3u, IEEE802.3z
Switch fabric	14Gbps
Though put	10.42Mpps
Buffer	1M
MAC address table	8K
Indicator	Power: 1 *red ; Uplink6~7: On RJ45 On green LEDs indicate Link/Act; port 5 yellow and green LEDs indicate Link/Act Downlink 1~4: On RJ45 green LEDs indicate Link/Act , yellow LEDs indicate PoE
Protection	Surge: 6KV, standard: IEC61000-4-5 ESD: 8KV: contact / 15KV: air,standard:IEC61000-4-2
Working temperature	-40℃~75℃
Storage temperature	-40℃~85℃
Humidity	0~95%(No condensation)
Dimension(L×W×H)	165mm×115 mm×50mm
Material	Metal
Color	Black
Net-weight	500g

BI804PG1G2F

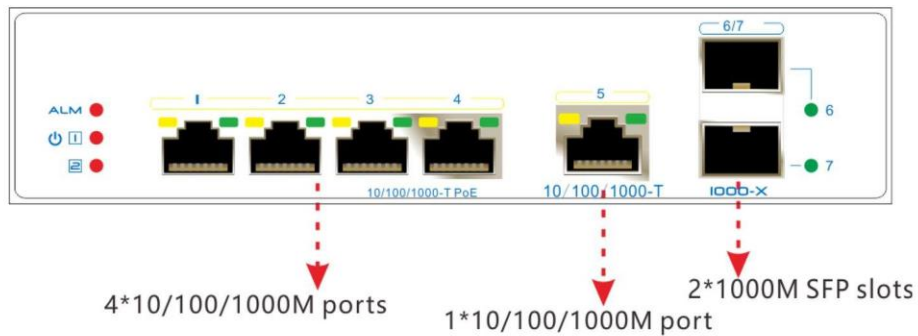
7-port Full Gigabit Industrial PoE Switch

Datasheet



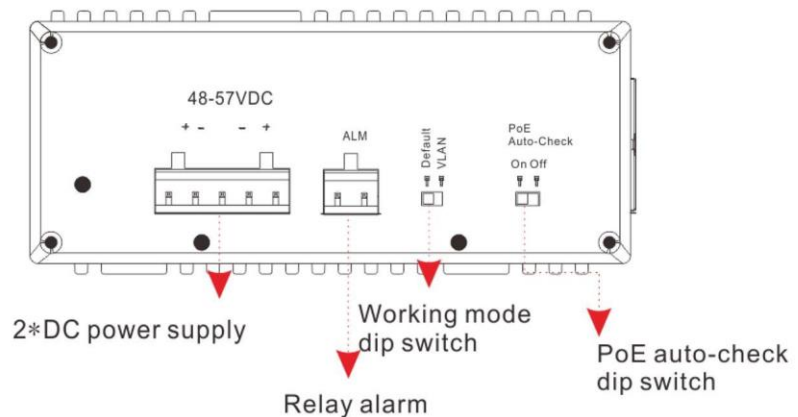
Panel Diagram

● Front panel



▲ Attention 1: This product must be well grounded against lightning, please use better than 20# cable to connect the grounding terminal and ground.

● Left panel



▲ Attention 2:
 Default, VLAN mode: It can be selected by dip switch.
 Default mode: normal switch mode.
 VLAN :ports 1 ~ 4 are isolated from each other and can only communicate with the uplink port; restrain the network storm; turn off the flow control.

▲ Attention 3:
 POE Auto-Check: PoE Auto-Check function is open/ closed by dip switch.
 The switch always auto detect 1~4 ports whether frozen, if some ports are frozen, the switch will restart them, but other ports are unaffected.

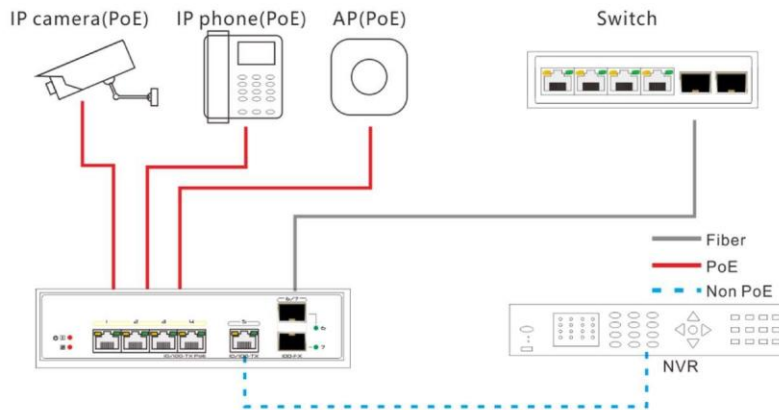
BI804PG1G2F

7-port Full Gigabit Industrial PoE Switch

Datasheet



APPLICATION



DIMENSION

