

# BC2108GM2G4F

## 14-port Full Gigabit Managed PoE Switch Datasheet



### Ideal for:



Telecom



Hotels & Resorts



Universities



Healthcare



Public Places



Airport



Transport



Industries

## Overview

The BC2108GM2G4F is a full gigabit L2+ managed Ethernet fiber switch. It has 10\*10/100/1000Base-T RJ45 ports and 4\*100/1000Base-X SFP fiber slot ports. Each port can support wire-speed forwarding. The BC2108GM2G4F has L2+ full network management function, supports IPV4/IPV6 management, static route full line rate forwarding, complete security protection mechanism, complete ACL/QoS policy and rich VLAN functions, and is easy to manage and maintain. Supports multiple network redundancy protocols STP/RSTP/MSTP (<50ms) and (ITU-T G.8032) ERPS(<20ms) to improve link backup and network reliability. When one-way network fails, communication can be quickly restored to ensure important Uninterrupted communication for applications. According to the actual application requirements, you can configure multiple application services such as port traffic control, VLAN division, and SNMP through the Web network management mode. It satisfies high-density network application environment and is suitable for medium, large-scale scenes such as hotel, campus, park, shopping mall, scenic spot, hospital, bank to form an economical, efficient and reliable communication network.

## FEATURES

- Gigabit access
- Gigabit SPF fiber port uplink
- Strong business processing capability
- Security
- Stable and reliable
- Easy operation and maintenance management

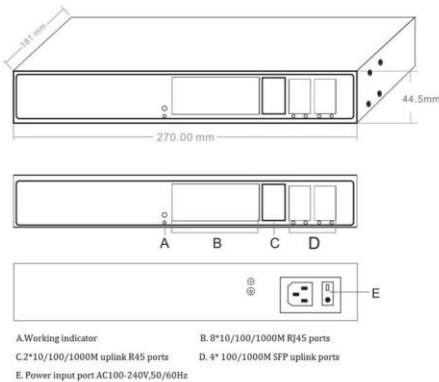
Interface Characteristics	
Fixed Port	10*10/100/1000Base-T RJ45 ports (Data)
	4*100/1000Base-X SFP ports (Data)
	1*Console port (115200,N,8,1)
Ethernet Port	Port 1-10 support 10/100/1000Base-T, auto-sensing, Full/half duplex MDI/MDI-X self-adaption
Twisted Pair Transmission	10BASE-T: Cat3,4,5 UTP(≤100 meter)
	100BASE-TX: Cat5 or later UTP(≤100 meter)
	1000BASE-T: Cat5e or later UTP(≤100 meter)
SFP Slot Port	Gigabit SFP optical fiber interface, default not matching optical modules (optional order single-mode / multi-mode, single fiber / dual fiber optical module. LC)
SFP Port Expansion	Turbo overclocking 2.5G optical module and ring
Optical Cable/Distance	Multi-mode: 850nm /0 ~ 500M, single-mode: 1310nm 0 ~ 40KM, 1550nm/0 ~ 120KM.
Power Supply	
Total PWR / Input Voltage	30W/AC100-240V)
Power Consumption	Standby<8W, Full Load<18W
Power Supply	Built-in power supply, AC 100~240V 50-60Hz 0.65A

# BC2108GM2G4F

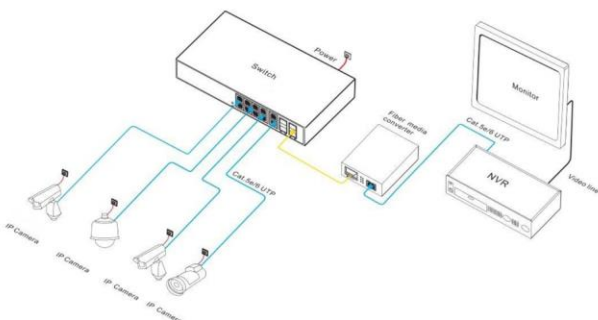
## 14-port Full Gigabit Managed PoE Switch Datasheet



### DIMENSION



### APPLICATION



Chip Parameter	
Network	L2+
Management Type	
Network Protocol	IEEE802.3 10BASE-T, IEEE802.3i 10Base-T, IEEE802.3u 100Base-TX IEEE802.3ab 1000Base-T, IEEE802.3z 1000Base-X, IEEE802.3x
Forwarding Mode	Store and Forward(Full Wire Speed)
Switching Capacity	256Gbps
Forwarding Rate@64byte	20.83Mpps
MAC	8K
Buffer Memory	4M
Jumbo Frame	9.6K
CPU	416M
DRAM	1G
FLASH	128M
LED Indicator	Power: PWR (yellow), System: SYS (green), Network: Link (yellow), Fiber port: L/A (green)
Reset Switch	Yes, support one key to restore factory settings
Physical Parameter	
Operation TEMP / Humidity	-20~+55°C, 5%~90% RH Non condensing
Storage TEMP / Humidity	-40~+75°C, 5%~95% RH Non condensing
Dimension (L*W*H)	270*181*44.5mm
Net /Gross Weight	<1.2kg / <1.7kg
Installation	Desktop, wall mounted, 19 inch 1U cabinet installation
Certification & Warranty	
Lightning protection / protection level	Lightning protection: 4KV 8/20us; Protection level: IP30
Certification	CCC, CE mark, commercial, CE/LVD EN60950 FCC Part 15 Class B, RoHS
Warranty	3 years, lifelong maintenance.

# BC2108GM2G4F

## 14-port Full Gigabit Managed PoE Switch

### Datasheet



Network Management Features	
Interface	IEEE802.3X (Full-duplex) Port temperature protection setting Port green Ethernet Energy-saving setting Broadcast storm control based on port speed The speed limit of the message flow in the access port. The minimum particle size is 64Kbps.
Layer 3 Features	L2+ network management ,IPV4/IPV6 management L3 soft routing forwarding, Static route, Default route @ 128 pcs, APR @ 1024 pcs
VLAN	VLAN based on MAC VLAN based on the protocol Voice VLAN, QinQ configuration 4K VLAN based on port, IEEE802.1q Port configuration of Access, Trunk, Hybrid
Port Aggregation	LACP, Static aggregation Max 7 aggregation groups and 8 ports per group.
Spanning Tree	STP (IEEE802.1d), RSTP (IEEE802.1w), MSTP (IEEE802.1s)
Industrial Ring	G.8032 (ERPS),Recovery time less than 20ms
Network Protocol	250 Ring at most, Max 250 devices per ring.
Multicast	MLD Snooping v1/v2,Multicast VLAN IGMP Snooping v1/v2, Max 1024 multicast groups, Fast log out
Port Mirroring	Bidirectional data mirroring based on port
QoS	Flow-based Rate Limiting Flow-based Packet Filtering 8*Output queues of each port 802.1p/DSCP priority mapping Diff-Serv QoS,Priority Mark/Remark Queue Scheduling Algorithm (SP, WRR, SP+WRR)
ACL	Port-based Issuing ACL,ACL based on port and VLAN L2 to L4 packet filtering, matching first 80 bytes message. Provide ACL based on MAC, Destination MAC address, IP Source, Destination IP, IP Protocol Type, TCP/UDP Port, TCP/UDP Port Range, and VLAN, etc.
Security	IP-MAC-VLAN-Port binding ARP inspection,Anti-DoS attack AAA & RADIUS,MAC learning limit Mac black holes,IP source protection IEEE802.1X & MAC address authentication Broadcast storm control,Backup for host datum SSH 2.0,SSL,Port isolation,ARP message speed limit User hierarchical management and password protection
DHCP	DHCP Client,DHCP Snooping,DHCP Server,DHCP Relay
Management	One-key recovery Cable Diagnose,LLDP Web Management (HTTPS) NTP,System work log,Ping Test CPU instant utilization status view Console/AUX Modem/Telnet/SSH2.0 CLI Download & Management on FTP, TFTP, Xmodem, SFTP,SNMP V1/V2C/V3 NMS - smart network management system platform(LLDP+SNMP)
System	Category 5 Ethernet network cable Web browser: Mozilla Firefox 2.5 or higher, Google browser chrome V42 or higher, Microsoft Internet Explorer10 or later; TCP/IP, network adapter, and network operating system (such as Microsoft Windows, Linux, or Mac OS X) installed on each computer in a network