



29 Ports L3 managed POE switch

BC3024PGM4T-370W Series

❖ Overview

BC3024PGM4T-370W is Managed PoE switch for security transmission and WIFI coverage, meet the WIFI AP, IP-camera, WIFI Bridge, IP phones and other types of equipment PoE power supply needs. Products using a new generation of high-performance hardware and software platforms, providing flexible, cost-effective full Gigabit access and uplink ports, support for Layer 3 routing protocols, complete security mechanisms, improved ACL / QoS strategy and rich VLAN capabilities, it is easy to manage and maintain, meet the users' requirements for network equipment easy to manage, high security and low cost. It is suitable for network access, aggregation and core applications in campus, hotel and enterprise campus.

❖ Picture



❖ Features

- Support 24 x 10/100/1000Mbps PoE port, IEEE802.3af and IEEE802.3at standard, Four 10Gigabit SFP optical ports (XG1, XG2, XG3, XG4), can be inserted with 10Gigabit SFP+ module
- Console port used to connect to computer or other terminal to manage or configure the switch
- The maximum PoE power of single port is 30W, POE Budget 370W;
- Provides three modes of Extend, Default and VLAN to adapt to various complex environments;
- It supports the PoE auto-check function, which is specially designed to solve the problems of equipment frozen. It can automatically detect the frozen PD equipment and restart the ports' output of PSE, and restart the PD device. It greatly reduces the maintenance difficulty of engineering.
- Supports the PoE usage rate indication, which is convenient to show the consumption of PoE power.
- 6KV surge protection, 6KV/8KV ESD protection;
- Support DHCP server, DHCP relay, DHCP Snooping



29 Ports L3² managed POE switch

BC3024PGM4T-370W Series

❖ Specifications

Hardware Specifications

Network standard	IEEE 802.3: Ethernet Media Access Control (MAC) protocol IEEE 802.3i:10BASE-T Ethernet IEEE 802.3u:100BASE-TX fast Ethernet IEEE 802.3ab:1000BASE-T gigabit Ethernet IEEE 802.3z:1000BASE-X gigabit Ethernet(fiber) IEEE 802.3ae:10GBASE-SR/LR 10G Ethernet(fiber) IEEE 802.3ad: comply link aggregation standard IEEE 802.3x: flow control IEEE 802.1p: About the traffic priority of the second layer of Qos / Cos protocol (multicast filtering) IEEE 802.1q:VLAN Bridge operation IEEE 802.1d:STP spanning tree IEEE 802.1s:MSTP spanning tree IEEE 802.1w:RSTP spanning tree; IEEE 802.3af; IEEE 802.3at
Port	24x 10/100/1000Mbps RJ45 POE port
	4x 10Gigabit SFP+ fiber port
	1 Console port
PoE	24 10/100/1000Mbps RJ45 port support PoE
	Max 370W
	Single port max 30W
LEDs	28 Link/Act LEDs
	24 PoE LEDs
	1 system
	1 Power LEDs
Performance	Forwarding mode: store and forward
	Switch Volume (Full-duplex): 128Gbps
	Packet forwarding rate: 95.232Mpps
	8K MAC address table
Input	100-240V/50-60Hz
Dimension (L*W*H)	440mm*320mm*44mm



29 Ports L3³ managed POE switch

BC3024PGM4T-370W Series

Software Specifications

Shortcut function	One key VLAN
	One key Extend(1-8 port 250meters PoE distance)
	One key QoS (Video priority)
	One key AI PoE
Routing	Support RIP V1/V2
	Support OSPF V1/V2
	Support static routing
DHCP	Support DHCP server
	Support DHCP reply
	Support DHCP Snooping
VLAN	Support 4K VLAN
	Support 802.1Q VLAN, Port VLAN, Voice VLAN
PoE	Support setting the PoE port priority
	Support setting PoE power supply period
	Support setting port power
MAC address table	Comply the IEEE 802.1d standard
	Support MAC address learning and aging automatically
	Support static, dynamic, filter address table
Safety	Based on user rating management and password protection
	Support based on the port number, IP address, MAC address restrictions on user access
	Icmp-echo; DoS protection
	Support DHCP Snooping; DHCP attack protection
	Support port security, port isolation
Access control (ACL)	Support L2(Layer 2)~L4(Layer 4) packet filtering function
	Support port mirroring, port redirection, flow rate limit, QoS re-marking
Multicast	Support IGMP v1/v2 Snooping
	Support static multicast
	Support multicast VLAN
QoS	Support 8 port queue
	Support port priority, 802.1p priority, DSCP priority
	Support SP, RR,WRR,WFQ Priority scheduling algorithm
Spanning Tree	Support STP(IEEE 802.1d),RSTP(IEEE 802.1w) and MSTP(IEEE 802.1s) protocol

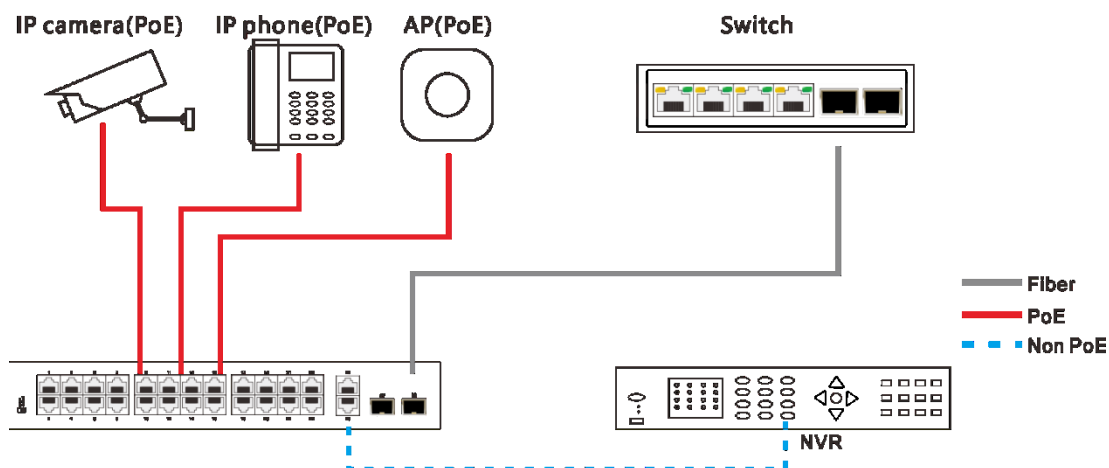


29 Ports L3 managed POE switch

BC3024PGM4T-370W Series

	Support loop protection, BPDU protection
Management and maintenance	Support WEB management (HTTPJ)
	Support CLI (Telnet, local serial port)
	Support SNMP V1/V2/V3,Compatible with public MIBS
	Support LLDP,RMON
	Support IP Source protection, DoS protection
	Support CPU monitor, memory monitoring
	Support system log
	Support cable testing
	Multicast
Support static multicast	
Support Multicast VLAN	

❖ Application

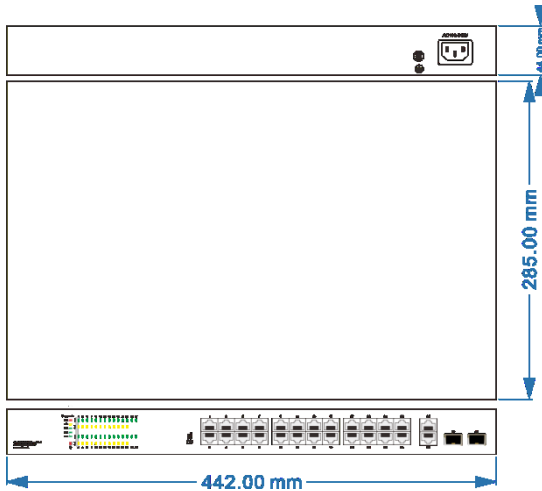




29 Ports L3⁵ managed POE switch

BC3024PGM4T-370W Series

❖ Dimensions



❖ Order information

Model	Description
BC3024PGM4T-370 W series	29-port L3 Managed Gigabit POE Switch, 24 Outputs 10/100/1000Mbps RJ45 poe port, 4x 10Gigabit SFP+ fiber port, 370 watts

BORN ELECTRONICS LIMITED

ADDRESS:

#157
Sixth Avenue
E12 5PT
London
United Kingdom
Phone: +44 7981 658911
Email: info@bornelectronics.com

WARRANTY:

2 YEARS (EXPANDABLE UPTO 4 YEARS)