

BC2016PGM2F-150W Series 19 Ports L2 Managed PoE Switch



Ideal for:



Telecom



Hotels & Resorts



Universities



Healthcare



Public Places



Airport



Transport



Industries

OVERVIEW

BC2016PGM2F-150W is managed PoE switch for security transmission and WIFI coverage, meet the need of PoE power supply for WIFI AP, IP-camera, WIFI bridge, IP phones and other types of equipment. New generation of high-performance hardware and software platforms are used, providing flexible, cost-effective full Gigabit access and uplink ports, complete security mechanisms, improved ACL / QoS strategy and rich VLAN capabilities.

It is easy to manage and maintain, meet the users' requirements for network equipment easy to manage, high security and low cost. Supporting Apollo Cloud One-stop Management Platform, realizing status checking and management monitoring functions, suitable for campus, Hotel and enterprise park network access, convergence, core multi-application scenarios.

FEATURES

- Full Gigabit Port
- 16 1000Mbps RJ45 ports (support PoE power supply) with 2 Gigabit SFP ports, Data transmission is not jammed
- Realtek chip, the performance is more stable and powerful
- Realtek high-performance chip can greatly improve network data processing rate
- Convenient operation
- AI VLAN mode: Separating 1-8 ports from each other, can effectively restrain network storm and improve network performance.
- AI Extend mode: Designed for monitoring application scenarios, 1-8 ports support 250 meters long distance power supply.
- AI PoE mode: automatically check, reboot the device while find it fake dead
- AI QoS mode: video data first, more fluent transmission

BC2016PGM2F-150W Series 19 Ports L2 Managed PoE Switch



SPECIFICATIONS

HARDWARE SPECIFICATION

Chipset	Realtek High Performance Chipset
Flash	16MB
RAM	128M DDR
Port	16 10/100/1000Mbps RJ45 ports
	2 Gigabit SFP ports
	1 Console port
PoE	16 10/100/1000Mbps RJ45 port support PoE
	Max 150W
	Single port max 46W
LEDs	18 Link/Act LEDs
	16 POE LEDs
	1 Power LED
	1 SYS LED
Performance	Forwarding mode: store and forward
	Switch Volume (Full-duplex) :36Gbps
	Packet forwarding rate:26.78Mpps
	8K MAC address table
Lightning Protection	6KV
ESD	No barrier: ±6KV Air:±8KV
Input	100-240V/50-60Hz
Dimension (L×W×H)	440mm×180mm×44mm

SOFTWARE SPECIFICATION

Network standard	<p>IEEE 802.3: Ethernet Media Access Control (MAC) protocol</p> <p>IEEE 802.3i:10BASE-T Ethernet</p> <p>IEEE 802.3u:100BASE-TX fast Ethernet</p> <p>IEEE 802.3ab:1000BASE-T gigabit Ethernet</p> <p>IEEE 802.3z:1000BASE-X gigabit Ethernet(fiber)</p> <p>IEEE 802.3ad: comply link aggregation standard</p> <p>IEEE 802.3x: flow control</p> <p>IEEE 802.1p: About the traffic priority of the second layer of Qos / Cos protocol (multicast filtering)</p> <p>IEEE 802.1q:VLAN Bridge operation</p> <p>IEEE 802.1d:STP spanning tree</p> <p>IEEE 802.1s:MSTP spanning tree</p> <p>IEEE 802.1w:RSTP spanning tree</p> <p>IEEE 802.3af</p> <p>IEEE 802.3at</p>
------------------	--

BC2016PGM2F-150W Series 19 Ports L2 Managed PoE Switch



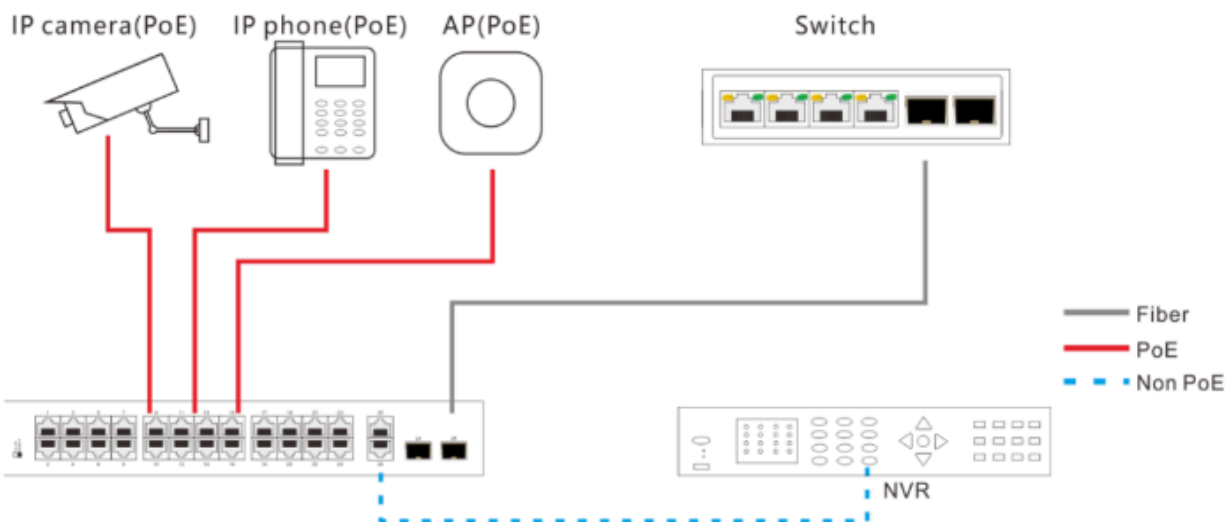
Shortcut function	One key VLAN
	One key Extend (1-8 port 250meters PoE distance)
	One key QoS (Video priority)
	One key AI power supply
DHCP	DHCP Snooping
VLAN	Support 4K VLAN
	Support 802.1Q VLAN、 Port VLAN、 Voice VLAN
MAC address table	Comply the IEEE 802.1d standard
	Support MAC address learning and aging automatically
	Support static, dynamic, filter address table
Safety	Password protection
	Support based on the port number, IP address, MAC address restrictions on user access
	Support HTTPS、 SSL V3、 TLS V1、 SSH V1/V2
	Based on user rating management and password protection
	Support IP-MAC-PORT
	Support ARP protection, IP sources protection, DoS protection
	Support DHCP Snooping、 DHCP attack protection
	Support 802.1X AAA
Support port security, port isolation	
PoE	Support CPU protection
	Support setting the PoE port priority
	Support viewing POE Chip Status
	Support setting PoE power supply period
Access control (ACL)	Support setting port power
	Support L2(Layer 2)~L4(Layer 4) packet filtering function
	Support port mirroring, port redirection, flow rate limit, QoS re-marking
QoS	Support 8 port queue
	Support port priority, 802.1p priority, DSCP priority
	Support SP、 RR、 WRR、 WFQ Priority scheduling algorithm
	Support automatically identify, manage and acquire of connected equipment information
Multicast	Support IGMP v1/v2 Snooping
	Support static multicast
	Support multicast VLAN
	Support multicast filtering, message statistics, unknown multicast discarding
Spanning Tree	Support STP(IEEE802.1d),RSTP(IEEE 802.1w) and MSTP(IEEE802.1s) protocol
	Support loop protection, BPDU protection

BC2016PGM2F-150W Series 19 Ports L2 Managed PoE Switch



Storm suppression	Support for multicast suppression
	Support broadcast suppression
	Support for unknown unicast suppression
Link aggregation	Support static aggregation
	Support dynamic aggregation
	Support IP, MAC, hybrid load balancing mode
	Supports up to 32 aggregation groups
IPv6	Support IPv6 Ping、IPv6 Tracert、IPv6 Telnet
	Support IPv6 SSH、IPv6 SSL
Management and Maintenance	Support WEB management(HTTP、HTTPS、SSL V3)
	Support CLI(Telnet、local serial port)
	Support SNMP V1/V2/V3
	Support LLDP、RMON
	Support ARP Protection、IP Source protection、DoS protection
	Support CPU monitor、memory monitoring
	Support system log
Support Ping、Tracert detect cable testing	

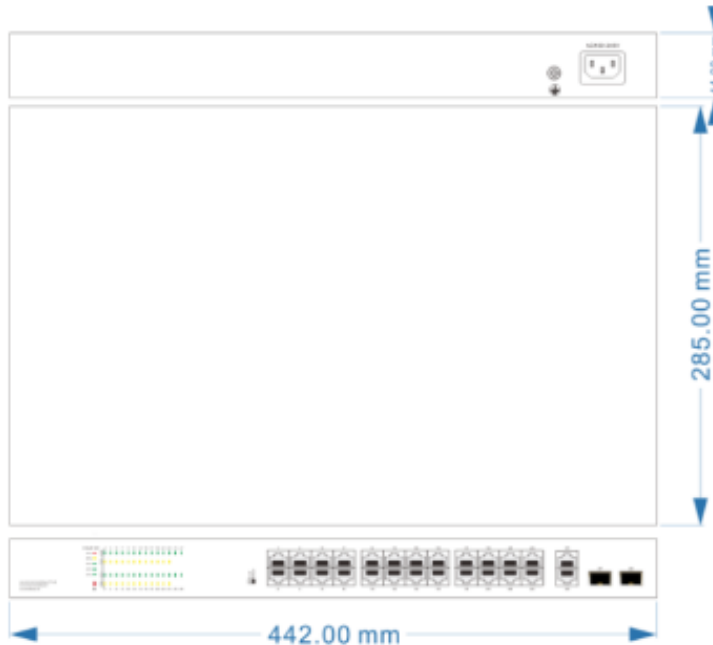
APPLICATION



BC2016PGM2F-150W Series 19 Ports L2 Managed PoE Switch



DIMENSIONS



ORDER INFORMATION

Model	Description
BC2016PGM2F-150W Series	L2 manage, 16 10/100/1000Mbps RJ45 ports, 2 Gigabit SFP ports, 1 Console ports, PoE budget 150W, Max 46W each port.

WARRANTY: 2 YEARS (EXPANDABLE UPTO 5 YEARS)



337 Forest Road,
London, United Kingdom



+44 7859 571344



info@bornelectronics.com



<https://bornelectronics.com/>